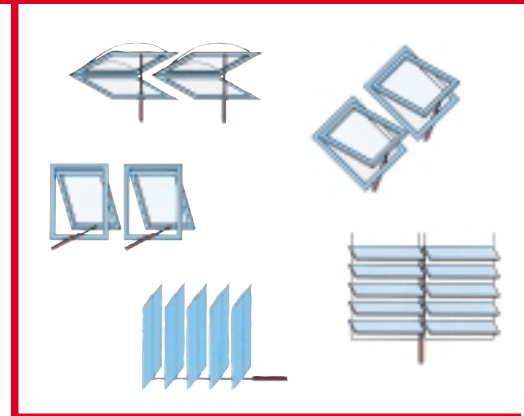


ST 450 - APRIFIVE

Rod operators for domes, vertical sunblinds, jalousie and outward opening windows.



ST 450



APRIFIVE

Rod operators characterised by excellent reliability and resistance to heavy loads. They are ideal as opening systems for domes, vertical sun blinds and jalousie windows.

These operators combine two often mutually conflicting characteristics: silent operation and speed.

Product dimensions are designed to be as compact as possible to ensure an installation that blends with the rest of the building.

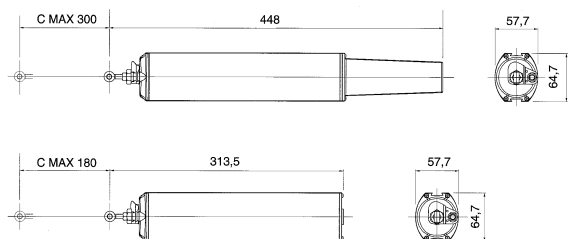
SPECIFICATION

Electric operators in aluminium casing with linear rod movement.
230 Vac operation with limit switch and overload protection.
Can be connected in parallel thanks to the relay incorporated on the card.
Fitted with 1.5 m power supply cable already connected to the operator.
Supports and brackets are supplied for the application required.

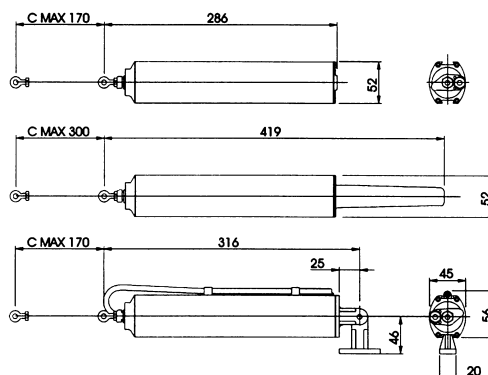
TECHNICAL DATA	ST 450	APRIFIVE
THRUST AND PULL FORCE	450 N	200 N
MAX STROKE	300 mm	300 mm
NO-LOAD STROKE DURATION	13 sec	7 sec
OPERATING SPEED	23 mm/sec	46 mm/sec
SINGLE-PHASE VOLTAGE	230V c.a.	230V c.a.
FREQUENCY	50 Hz	50 Hz
CURRENT ABSORBED	0,7 A c.a.	0,5 A c.a.
POWER	150 Watt	115 Watt
CAPACITOR	1 for 5 micro Farad	1 for 4 micro Farad
OVERLOAD PROTECTION	YES	YES
AUTOMATIC LIMIT SWITCH	YES	YES
RELAY INCORPORATED	YES	YES
PARALLEL CONNECTION	YES	YES
PROTECTION RATING	IP 55	IP 44



ST 450 DIMENSIONS



APRIFIVE DIMENSIONS



DESCRIPTION ST450	Stoke mm	Power supply	CODE
ST 450 complete with OUTWARD OPENING fixing accessories	180	230V ca	6647000000005
ST 450 complete with OUTWARD OPENING fixing accessories.	300	230V ca	6647000000004
DESCRIPTION APRIFIVE	Stoke mm	Power supply	CODE
APRIFIVE complete with OUTWARD OPENING fixing accessories.	300	230V ca	6647500000004
APRIFIVE complete with accessories for JALOUSIE WINDOWS.	170	230V ca	6647500000005